



## Dunlee DR

### X-Ray Tubes

#### Product Highlights

- Unmatched experience in manufacturing innovative X-ray tubes
- System integrator – proven technology due to high installed base
- Technology leadership
- Wide product line range

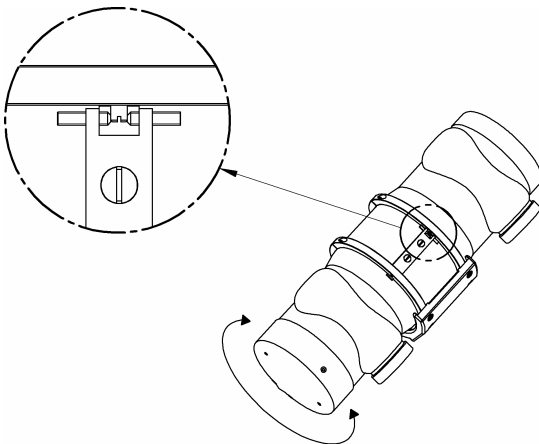
## Technical Features

- Application: RAD, RF, surgery, mobiles
- Low and high speed available (3000 to 10800 r.p.m.) 80 / 84 / 90 mm anode diameter
- *PreLOC* functionality, fine adjustment mechanism *EasyTune*
- Cooling unit & ventilator available
- Weight: 24 kg
- Dimension: length 495 mm, diameter 192,5 mm
- Color: RAL 9002

## Technical Data

Tube assembly DR:
DR 1817 (0.6/1.2, 13°)
DR 1825 (0.6/1.0, 15°)
DR 1833 (0.6/1.2, 13°)

### Fine adjustment mechanism *EasyTune*



### *PreLOC* functionality

