



Highflex KKG

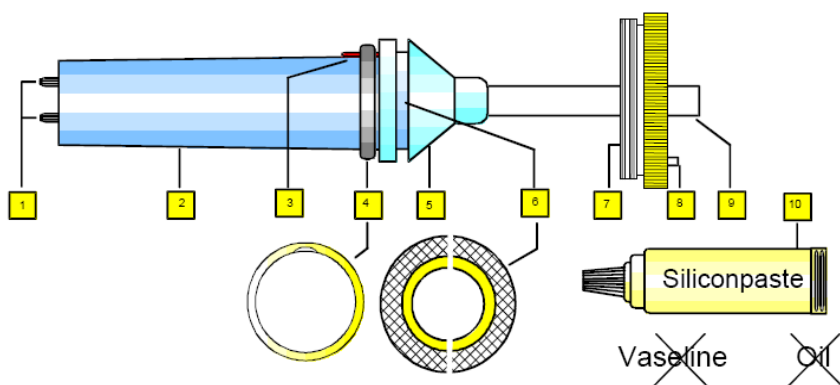
High Voltage Cable

Main Features

- For medical applications
- From basic radiology systems up to high performance systems
- Customized for highest flexibility
- Complete product range
- Every cable length available

Technical Features

Electrical data	
Rated voltage	75 kVdc
Shield resistance	0,010 Ohm/m
Coverage shielding braid	> 95 %
Cable capacity	<120 pF/m
Test voltages	
High voltage insulation	90 kVdc
Low voltage insulation	500 Vac
Mechanical data: Cable	
Outer diameter	16,5 mm +0,5
Weight	0,370 kg/m
Bending radius	> 150 mm
Low voltage conductor	2 X 1,5 mm ²
Common conductor	2 X 0,75 mm ²
Conductor resistance	0,013 Ohm/m
Cable sheat colour	Light grey
Mechanical data: Plug	
Multiple contact pin	8 point contact
Max. temperature	110 °C
Flanges	Demountable
Extremely short sleeve	34 mm
Small plug diameter	40 mm
Solderless connection	(EMC grounding)
of cable shielding	EN 60601-2-28;16
Tension relief according to	EN 60601-1;57.4a-b
Cable connection gastight	EN 60601-1;44.6
High voltage plug	FS (O3)



All rights are reserved. Reproduction in whole or parts is prohibited without the prior written consent of copyright holder.
X-Alliance reserves the right to make changes in specification and/or to discontinue any product at any time without notice or obligation and will not be liable for any consequences resulting from the use of this publication.