



Philips RO / SRO / SRM

X-Ray Tubes

Product Highlights

- Unmatched experience in manufacturing innovative X-ray tubes
- System integrator – proven technology due to high installed base
- Technology leadership
- Industry leader in imaging chain components
- Wide product line range

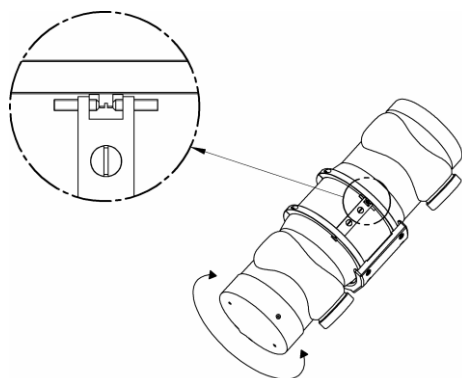
Technical Features

- Application: RAD, RF, surgery, mobiles
- Low & high speed available, 80 / 84 / 90 mm anode diameter
- High performance glass-metal tubes, for dynamic imaging techniques & digital image processing
- Cooling unit & ventilator available
- *PreLOC* functionality, fine adjustment mechanism *EasyTune*
- Color: ROT 350 Philips Mushroom

Technical Data

Tube assembly RO / ROT:	Tube assembly SRO / ROT:	Tube assembly SRM / ROT:
RO 0306 (0.3/0.6, 10°)	SRO 0951 ROT 350 (0.3/1.0, 15°)	SRM 0310 ROT 500 (0.3/1.0, 10°)
RO 1230 ROT 350 (0.6/1.2, 16°)	SRO 1330 ROT 350 (0.3/0.6, 12°)	SRM 0510 ROT 501 (0.5/1.0, 9°)
RO 1648 ROT 360 (0.7/1.5, 13°)	SRO 2055 ROT 350 (0.3/0.6, 7°)	SRM 0511 ROT 501 (0.5/1.0, 9°)
RO 1750 ROT 360 (0.6/1.2, 13°)	SRO 2550 ROT 360 (0.6/1.0, 15°)	SRM 0612 ROT 500 (0.6/1.2, 12°)
RO 3050 RE ROT 350 (1.2/1.8, 16°)	SRO 32100 ROT 350 (0.6/1.5, 13°)	SRM 1550 ROT 500 (0.3/0.7, 11°)
	SRO 33100 ROT 360 (0.6/1.2, 13°)	SRM 1551 ROT 500 (0.3/0.7, 11°)
		SRM 2250 ROT 500 (0.5/1.0, 15°)
		SRM 35100 ROT 500 (0.6/1.2, 12°)

Fine adjustment mechanism *EasyTune*



PreLOC functionality

